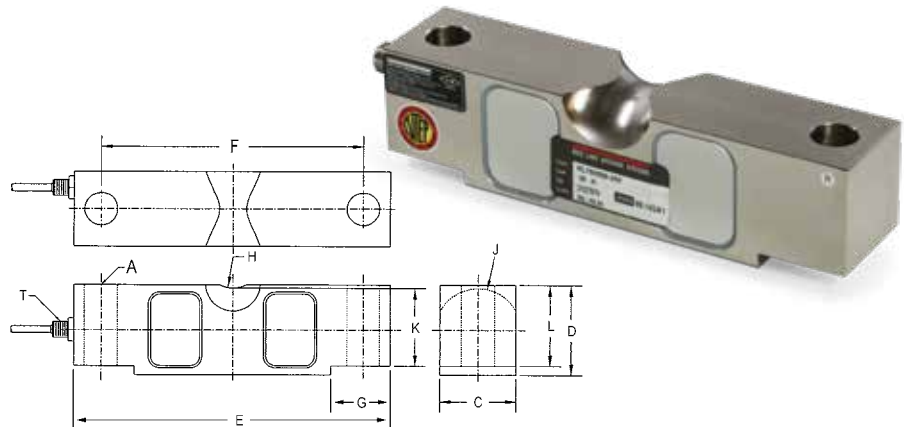


Interchangeable Products

- VPG SENSORTRONICS®
65058A..... page 331
- VPG CELTRON®
CLB..... page 223

Weigh Module Available

- RICE LAKE WEIGHING SYSTEMS
2100HE..... page 41
- RICE LAKE WEIGHING SYSTEMS
MVS..... page 96



Picture is a representation of actual product

Specifications

- Full Scale Output:**
3.0 mV/V
- Output Resistance:**
700 (± 5) ohm
- Input Resistance:**
770 (± 10) ohm
- Material/Finish:**
High-alloy steel, nickel plated
- Temperature:**
Compensated range
14° F to 104° F/-10° C to 40° C
Operating range
-40° F to 150° F/-40° C to 65° C

- Safe Overload:**
150% full scale
- Safe Sideload:**
100% full scale

- Rated Excitation:**
5-10 VDC (15 V maximum)

- Nonlinearity:**
0.03% full scale

- Hysteresis:**
0.02% full scale

- Insulation Resistance:**
5,000 megohms

- Seal Type:**
Environmentally sealed, IP67

- Cable Length:**
35 ft (10.6 m)

- Cable Diameter:**
0.200 polyurethane jacket 10,000 lb-25,000 lb
0.305 polyurethane jacket 40,000 lb-125,000 lb

- Cable Color Code:**
Red+ Excitation
Black.....- Excitation
Green.....+ Signal
White- Signal

- Warranty:**
Two-year limited warranty

Approvals:



Dimensions

Rated Capacity	A	C	D	E	F	G	H	J	K	L	T
lb/in											
10,000-25,000	0.68	1.69	1.94	7.75	6.50	1.38	0.75	0.90	1.63	1.70	1/4-18 NPT
40,000	0.81	1.94	2.44	10.25	8.50	1.93	1.00	1.12	2.00	2.10	1/4-18 NPT
50,000-75,000	1.06	2.44	2.94	10.25	8.50	1.93	1.00	1.37	2.54	2.65	1/2-14 NPT
100,000-125,000	1.62	2.90	3.86	15.25	12.75	3.13	1.50	1.80	3.30	3.43	1/2-14 NPT
kg/mm											
4,536.1-11,339.8	17.3	42.9	49.3	196.9	165.1	35.1	19.1	22.9	41.4	43.2	1/4-18 NPT
18,143.7	20.6	49.3	62.0	260.4	215.9	49.0	25.4	28.5	50.8	53.3	1/4-18 NPT
22,679.6-34,019.4	26.9	62.0	74.7	260.4	215.9	49.0	25.4	34.8	64.5	67.3	1/2-14 NPT
45,359.4-56,699.1	41.2	737.0	980.0	387.4	323.9	79.5	38.1	45.7	83.8	87.1	1/2-14 NPT

Order Information

Load Rating	Part #	Est. Weight	Price
NTEP Certified			
20,000 lb	34314	8 lb	Consult
25,000 lb	34315	8 lb	Consult
40,000 lb	34316	13 lb	Consult
50,000 lb	34317	19 lb	Consult
60,000 lb	34318	19 lb	Consult
75,000 lb	34319	19 lb	Consult
100,000 lb	34320	40 lb	Consult
125,000 lb	34321	40 lb	Consult
Non-NTEP Certified			
10,000 lb	41890		Consult
60 ft Cables			
50,000 lb	53417	20 lb	Consult
75,000 lb**	39516	20 lb	Consult
75,000 lb*	73839	20 lb	Consult
125,000 lb	96944	40 lb	Consult
100 ft Cable			
75,000 lb	74725	22 lb	Consult

*Stainless steel overbraid cable
**Used in Rice Lake truck scales

Replacement Load Cells for RL75058 Class III Rice Lake Coil Scale

Load Rating	Part #	Est. Weight	Price
20,000 lb	121439	8 lb	Consult
25,000 lb	121440	8 lb	Consult
40,000 lb	121441	13 lb	Consult
50,000 lb	121442	19 lb	Consult
60,000 lb	121443	19 lb	Consult
75,000 lb	121444	19 lb	Consult